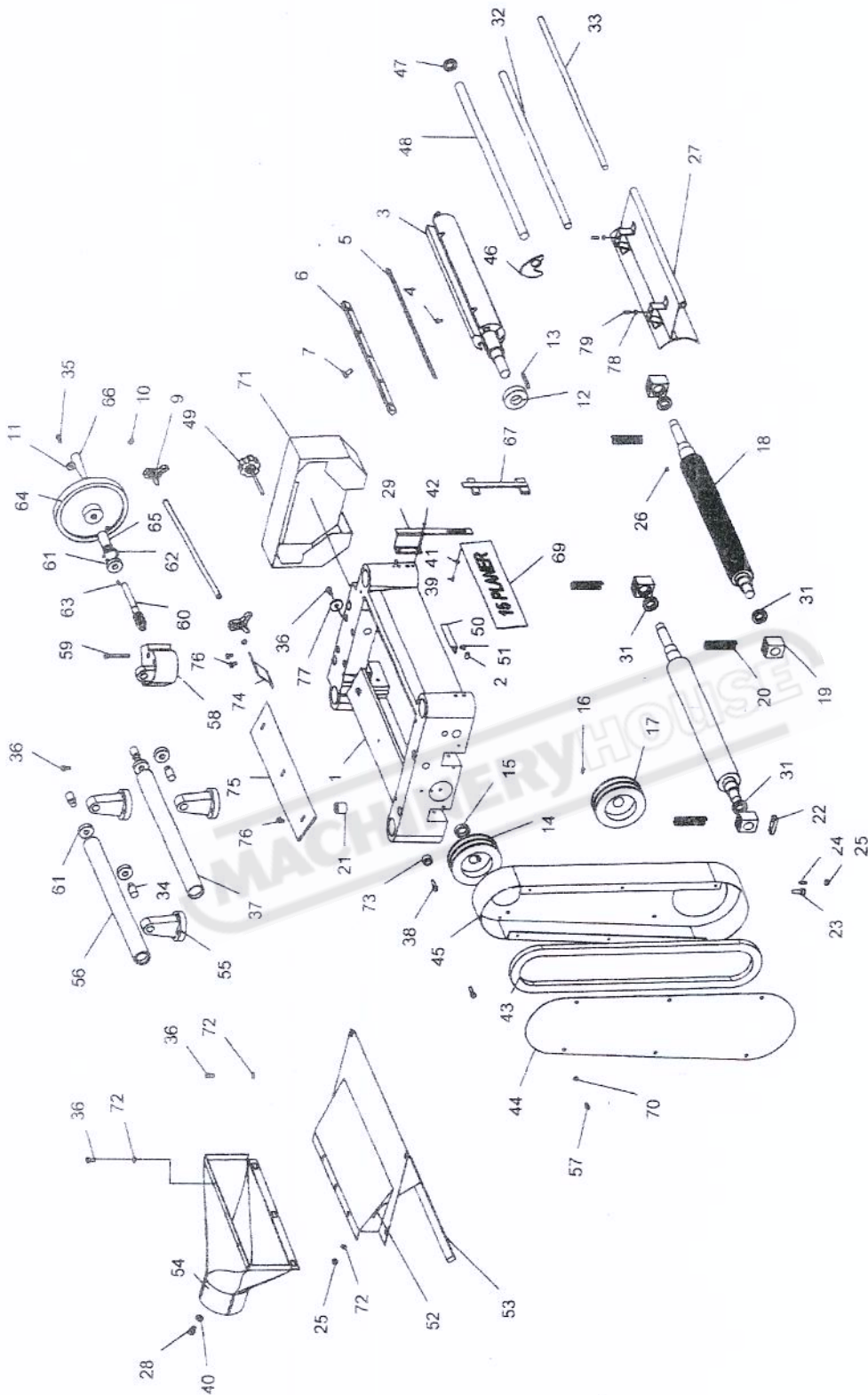


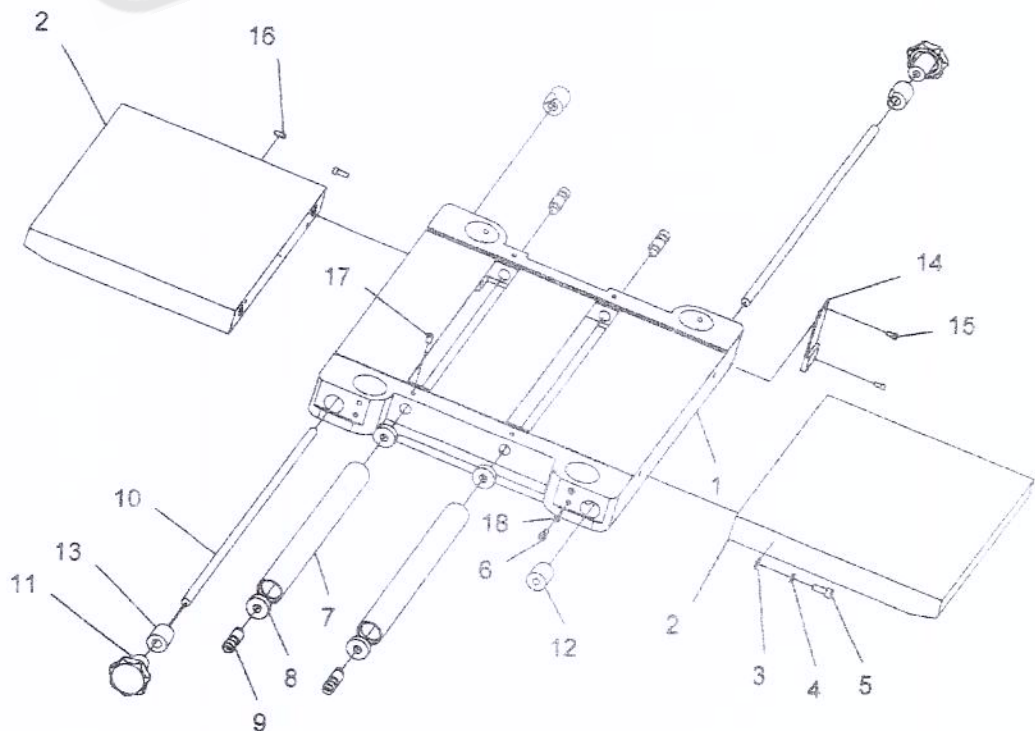
CUTTER HEAD

ITEM	DESCRIPTION	QTY	ITEM	DESCRIPTION	QTY
1	MACHINE HEAD	1	40	FLAT WASHER 8	3
2	SET SCREW M10*16	8	41	FLAT WASHER 3	4
3	CUTTER SHAFT	1	42	CAP SCREW M5*10	2
4	CAP SCREW M5*10	6	43	V-BELT 1092	2
5	BLADE	3	44	PULLEY COVER	1
6	KNIFE SETTING BAR	3	45	BELT GUARD	1
7	BOLT M8*10	15	46	ANTI-KICKBACK FINGER	48
8	KNIFE GAUGE	1	47	SPACER	50
9	KNIFE GAUGE BAR	2	48	SHAFT	1
10	RETAINING RING 10	2	49	LOCK HANDLE	2
11	SPACER	1	50	DEPTH LIMIT	1
12	BEARING 6205	1	51	FIT HD SCREW M6*10	2
13	KEY 6*50	1	52	UPPER COVER	1
14	CUTTER SHAFT PULLEY	1	53	GASKET	2
15	PULLEY RETAINER	1	54	COLLECTOR	1
16	SET SCREW M6*10	2	55	ROLLER STAND	3
17	MOTOR PULLEY	1	56	ROLLER	1
18	INFEED ROLLER	1	57	HEX SCREW M5*12	7
19	BUSHING BLOCK	4	58	WORM GEAR BOX	1
20	SPRING	4	59	CAP SCREW M6*50	3
21	SPECIAL SET SCREW	4	60	WORM	1
22	PLATE	4	61	BEARING 6201	5
23	HEX BOLT M8*20	4	62	SNAP RING 32	1
24	SET SCREW M6*16	4	63	KEY 4*16	1
25	HEX NUT M6	7	64	HAND WHEEL	1
26	KEY 5*16	2	65	COLLAR	1
27	CHIP BREAKER	1	66	HANDLE	1
28	HEX BLOT M8*12	3	67	DIGITAL SCALE	1
29	BRACKET 1		69	NAMEPLATE	1
30	OUTFEED ROLLER	1	70	FLAT WASHER 5	7
31	BEARING 61804	4	71	COVER	1
32	UPPER SHAFT	1	72	FLAT WASHER 6	15
33	MIDDLE SHAFT	1	73	BLOCK	3
34	RETURNINGSHAFT	4	74	SPRING BLOCK	3
35	HEX BOLT M5*16	1	75	CHIP GUARD PLATE	1
36	HEX BOLT M6*12	17	76	SCREW M6*10	9
37	ROLLER	1	77	BIG FLATE WASHER	2
38	HEX BOLT M6*25	1	78	NUT M5	2
39	PANHEAD SCREW M3*6	2	79	SET SCREW M5*16	2



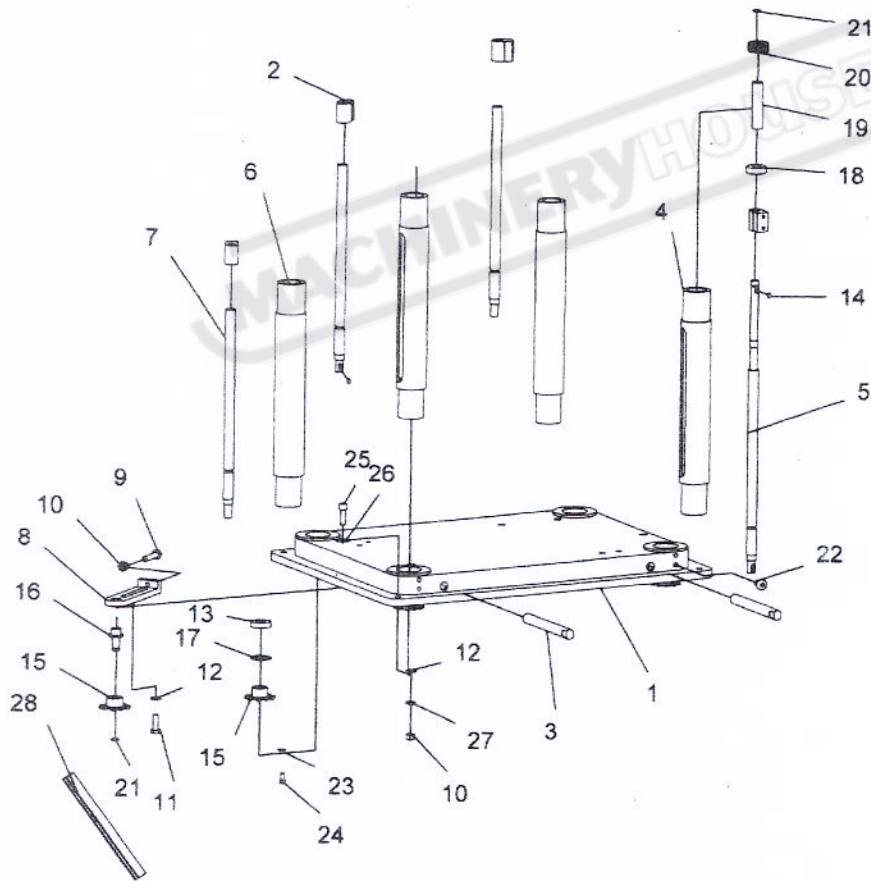
TABLE

ITEM	DESCRIPTION	QTY
1	MIDDLE TABLE	1
2	AUXILIARY TABLE	2
3	FLAT WASHER 8	4
4	LOCK WASHER 8	4
5	CAP SCREW M8*25	4
6	SET SCREW M6*16	4
7	ROLLOR	2
8	BEARING 6201	4
9	ECCENTRIC SHAFT	4
10	LOCK ROD	2
11	KNOB	2
12	THREADED GIB	2
13	GIB	2
14	BRACKET	1
15	CAP SCREW M5*10	4
16	CAP SCREW M6*20	12
17	SET SCREW M8*25	4
18	LOCK WASHER ϕ 6	8



COLUMN

ITEM	DESCRIPTION	QTY	ITEM	DESCRIPTION	QTY
1	BASE	1	16	GEAR SHAFT	1
2	LEAD SCREW NUT	4	17	SNAP RING ϕ 32	4
3	CRANE POST	4	18	BEARING 6201	1
4	SCALE COLUMN	1	19	BUSHING	1
5	LEAD SCREW	1	20	GEAR	1
6	COLUMN	3	21	SNAP RING ϕ 12	2
7	LEAD SCREW	3	22	SET SCREW M8*16	8
8	BRACKET	1	23	FLAT WASHER 5	4
9	BOLT M8*55	1	24	CAP SCREW M5*12	4
10	NUT M8	5	25	CAP SCREW M8*25	4
11	CAP SCREW M8*25	2	26	FIAT WASHER ϕ 8	4
12	FLAT WASHER 8	6	27	LOCK WASHER ϕ 8	4
13	BEARING 6002	4	28	CHAIN	1
14	KEY 4*12	5	29	RIVET	2
15	GEAR	5	30	SCALE	1

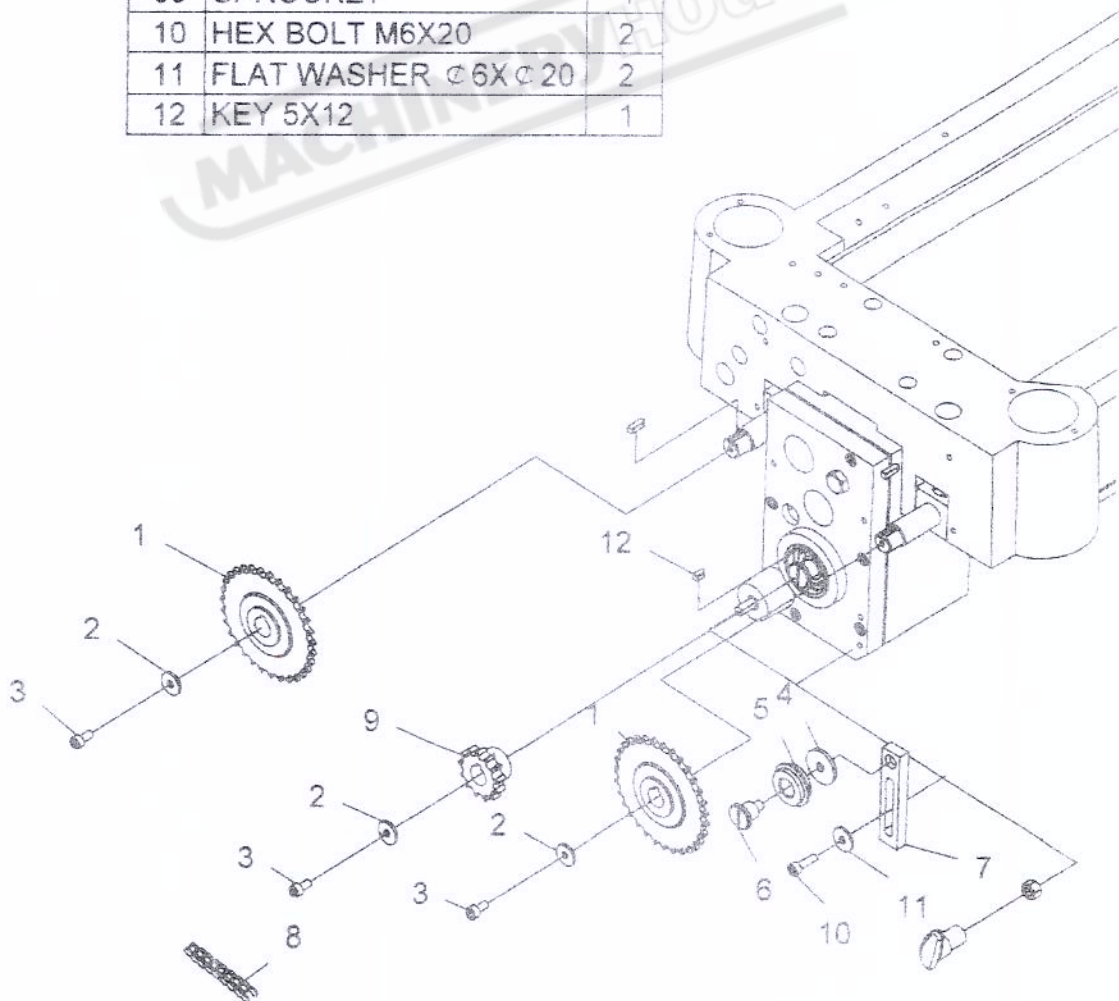


10

19

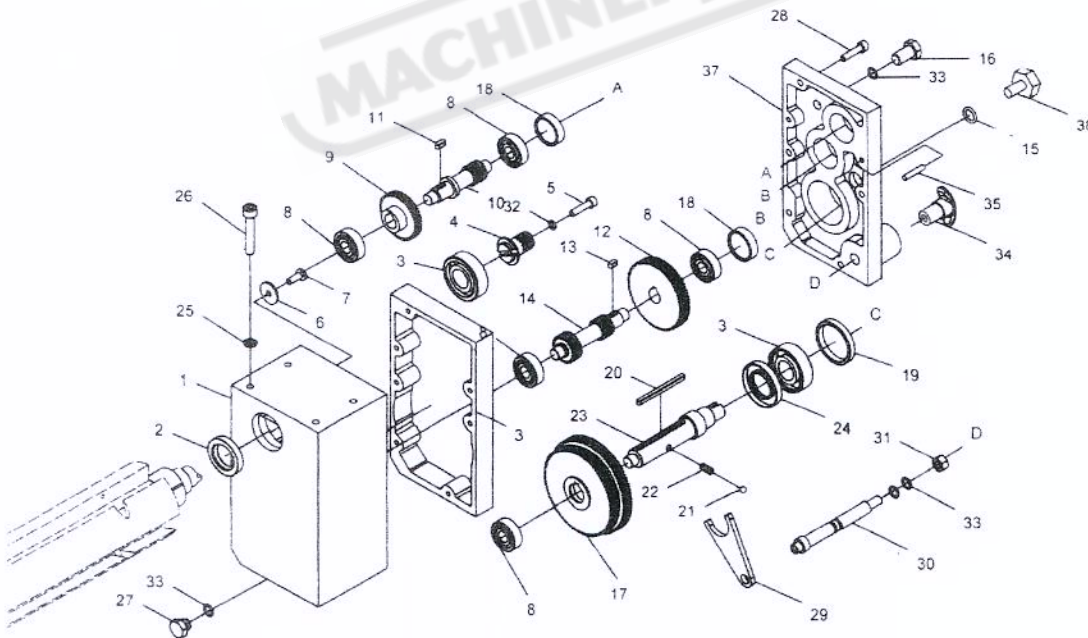
GEARING

REF	DESCRIPTION	QTY
01	SPROCKET	2
02	WASHER	3
03	CAP SCREW M6X12	3
04	FLAT WASHER $\varnothing 8 \times \varnothing 30$	1
05	CHAIN TENSIONER	1
06	SHAFT	1
07	BRACKET	1
08	CHAIN	1
09	SPROCKET	1
10	HEX BOLT M6X20	2
11	FLAT WASHER $\varnothing 6 \times \varnothing 20$	2
12	KEY 5X12	1



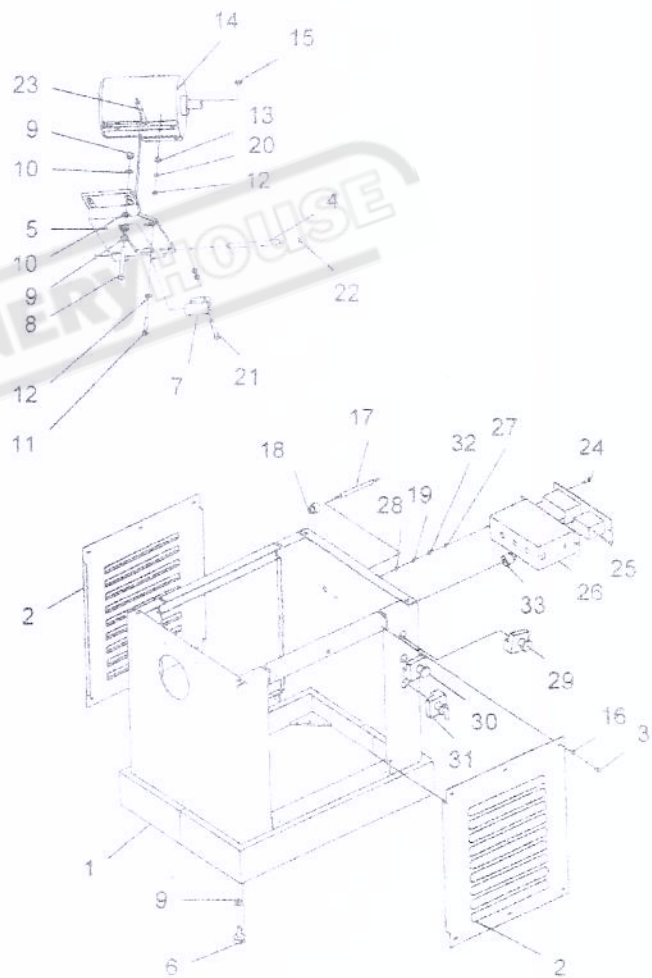
BOX

REF	DESCRIPTION	QTY	REF	DESCRIPTION	QTY
01	GEAR BOX	1	20	KEY 5X64	1
02	OIL SEAL 25X40X7	1	21	STEEL BALL ϕ 6	1
03	BALL BEARING 6204	2	22	TENSION SPRING	1
04	GEAR	1	23	SHAFT	1
05	CAP SCREW M6X25(LEFT)	1	24	OIL SEAL 25X47X7	1
06	FLAT WASHER ϕ 6X ϕ 22	1	25	LOCK WASHER ϕ 8	4
07	PHILLIPS HEAD BOLT M6X12	.1	26	HEX HEAD BOLT M8X45	4
08	BEARING 6201	5	27	SCREW M12X1.25X20	1
09	GEAR	1	28	HEX HEAD BOLT M6X25	5
10	GEAR AND SHAFT	1	29	SHIFTER	1
11	KEY 5X12	1	30	SHIFTING SHAFT HADNLE	1
12	GEAR	1	31	NUT M8	1
13	KEY 5X10	1	32	LOCK WASHER ϕ 6	1
14	GEAR 2-SPEED	1	33	OIL SEAL 9X1.8	4
15	OIL SEAL 11.8X2.65	1	34	KNOB	1
16	HEX HEAD BOLT M12X10	1	35	ROLL PIN 5X25	2
17	DOUBLE GEAR	1	36	GASKET	1
18	OIL PLUG	2	37	GEAR CASE	1
19	OUTER SPACER	1	38	OIL WINDOW	1



BASE

ITEM	DESCRIPTION	QTY
1	STAND	1
2	COVER	2
3	CAP SCREW M6*12	12
4	BAR	1
5	MOTOR MOUNT	1
6	RUBBER FOOT	4
7	FIXED BOLSTER	1
8	BOLT M10*150	2
9	HEX NUT M10	10
10	FLAT WASHER 10	4
11	HEX BOLT M8*40	4
12	WASHER 8	10
13	HEX NUT M8	6
14	MOTOR	1
15	KEY 8*45	1
16	FLAT WASHER 6	12
17	POWER CORD	1
18	STRAIN RELIEF	1
19	LOCK WASHER 5	2
20	LOCK WASHER 8	4
21	HEX BOLT M8*55	2
22	C-RING 12	2
23	POWER CORD	1
24	HEX BOLT M5*20	2
25	CONTACTOR	1
26	CONTACTOR BOX	1
27	IN LOCK WASHER	2
28	NUT M5	2
29	EMERGENCY BUTTON	1
30	STARTING BUTTON	1
31	SWITCH	1
32	FLAT WASHER 5	2
33	STRAIN RELIEF	3



CASTER ASSEMBLY AND PARTS LIST

ITEM	DESCRIPTION	NUM
1	STAND	1
2	HEX SCREW M10*50	2
3	WHEEL	2
4	FLAT WASHER c 10	2
5	SPECTICAL NUT M10	2
6	RUBBER FOOT	2
7	NUT M10	2
8	LOCK WASHER c 10	2
9	SCREW M8*50	3
10	CASTER ASSEMBLY	1
11	BIG WASHER c 8	3
12	LOCK WASHER c 8	3
13	NUT M8	3

